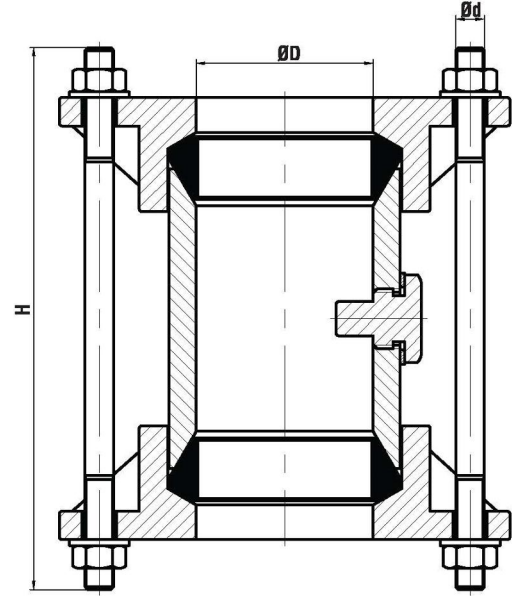


Boru Bağlama Kaplini(BV,TL,RMRS Tip Onaylı) Pipe Coupling(BV,TL,RMRS Type Approved)



NO	PARÇA ADI	PART NAME	MATERIAL	DN	PN	ØD	H	Ødxn	KG
1	GÖVDE	BODY	GGG40.3	50	16	62	190	M10x4	5,35
2	BORU	PIPE	ST42	65	16	79	190	M10x4	7,40
3	PUL	WASHER	COPPER	80	16	91	190	M10x4	7,85
4	TAPA	PLUG	AISI 316	100	16	117	190	M10x4	9,10
5	CONTA	GASKET	NBR	125	16	144	190	M10x6	12,00
6	SAPLAMA	STUD	6.8 STEEL	150	16	171	210	M12x6	15,00
7	SOMUN & PUL	NUT & WASHER	5.2 STEEL	200	16	222	210	M12x8	20,00
				250	16	276	220	M14x8	27,00
				300	16	327	240	M14x10	32,00
				350	6	360	290	M16x10	45,00
				400	6	411	300	M18x10	-
				450	6	461	300	M18x10	-
				500	6	515	300	M18x10	-

UYGULAMA ALANLARI / APPLICATIONS

BALANS DEVRESİ / BALAST PIPE LINE

YANGIN DEVRESİ / FIRE PIPE LINE

ELEKTRİK KABLO DEVRESİ / ELECTRICAL PIPE LINE